



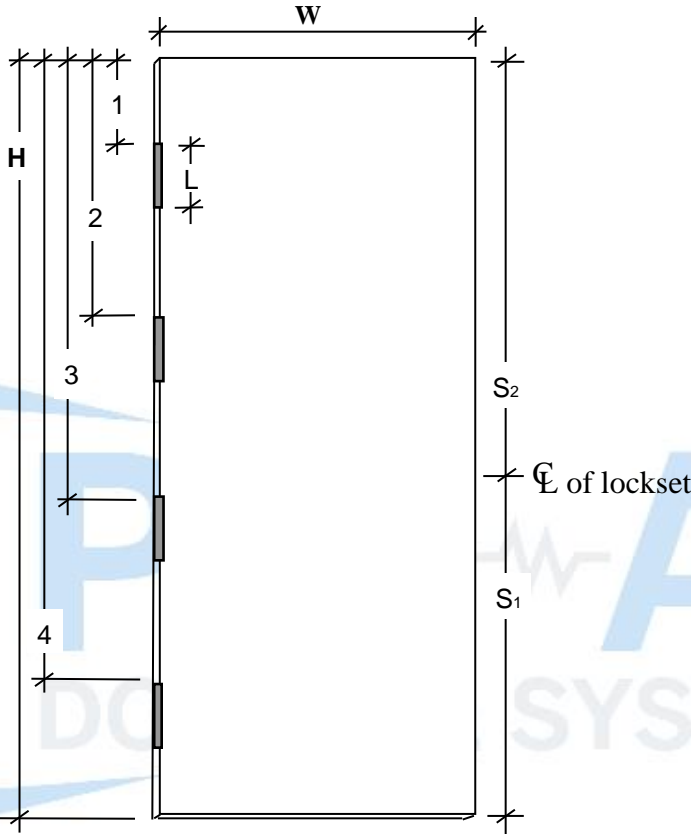
Door Information Form

Order Number:

Pictures

- YES
- NO

Customer:	Building/Location:
Opening Number:	Opening Location:
Measured Mnt.dd/yy:	Measured By:



W		
H		
L		(hinge length)

Latching Information:

Hinge Information:
<input type="checkbox"/> -Butt <input type="checkbox"/> -Strap
<input type="checkbox"/> -Full Mortise <input type="checkbox"/> -Full Surface
<input type="checkbox"/> -Half Mortise <input type="checkbox"/> -Half Surface
<input type="checkbox"/> -Continuous

Other info:

Handing:
<input type="checkbox"/> -Right Hand <input type="checkbox"/> -Right Hand Reverse
<input type="checkbox"/> -Left Hand <input type="checkbox"/> -Left Hand Reverse

CSDMA Recommended Door Dimensional Standards (4-1/2" Hinge)

	Actual	6'8"	6'10"	7'0"	8'0"	2050mm	2100mm	2150mm	2350mm
S1		39-9/16"	39-9/16"	39-9/16"	39-9/16"	39-29/32" 1014mm	39-29/32" 1014mm	39-29/32" 1014mm	39-29/32" 1014mm
S2		39-9/16"	41-9/16"	43-9/16"	55-9/16"	39-7/8" 1014mm	41-7/8" 1064mm	44-27/32" 1114mm	51-23/32" 1314mm
1st		7-3/8"	7-3/8"	7-3/8"	7-3/8"	7-1/16" 177mm	7-1/16" 177mm	7-1/16" 177mm	7-1/16" 177mm
2nd		37-5/16"	38-5/16"	39-5/16"	32-43/64"	37-21/32" 957mm	38-5/8" 982mm	39-5/8" 1007mm	31-3/8" 797mm
3rd		67-1/4"	69-1/4"	71-1/4"	57-31/32"	68-3/8" 1737mm	70-3/8" 1787mm	72-5/16" 1837mm	55-25/32" 1417mm
4th		N/A	N/A	N/A	83-17/64"	N/A N/A	N/A N/A	N/A N/A	80-3/16" 2037mm

NOTES/DETAILS

(Area for notes and details)	(Shaded area for additional information)
------------------------------	--