

## "AS" SERIES FRAMES

### DESCRIPTION:

➤ 3-piece (knock down) frame for field assembly, may also be welded for Masonry or Dry Wall Partitions. Designed for bevelled 1-3/4" (45) thick Hollow Metal and wood Doors. Also manufactured in Stick Components for fabrication in Screens and Windows.

### MATERIAL:

➤ 16 ga. Galvannealed Steel - .40 oz per sq. . ft. (120 gm per sq.m.), passivated for easy paint application.

### HINGE JAMB:

➤ Prepared for 1-1/2 pairs of 4-1/2" x 4" (114 x 102) Templates Hinges – Regular Weight 0.134"(3.4) thickness with "dimples" that can be removed (grinding) for use with Heavy Weight Hinges 0.180" (4.57mm) thickness. Hinges not included.

### STRIKE JAMB:

➤ Prepared by ANSI-A 115.1 – 1-1/4" x 4-7/8" (32 x 124) Strike Assembly. Strike Plate not included.  
 ➤ Prepared for 3 Rubber Silencers – Type 64. Not include from manufacturer, included from distributor.

### HEAD

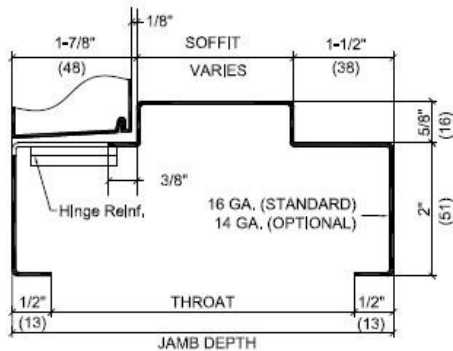
➤ Fire Rate Frame Headers must be properly reinforced for Surface Mounted Closers.

### ANCHORS

➤ All jambs have Floor Anchors welded in place.  
 ➤ See Frame Anchor Details for more information.

### FIRE LABELLING (typical information below, specific opening may vary this information):

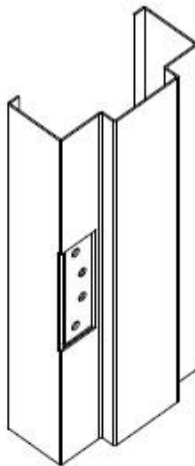
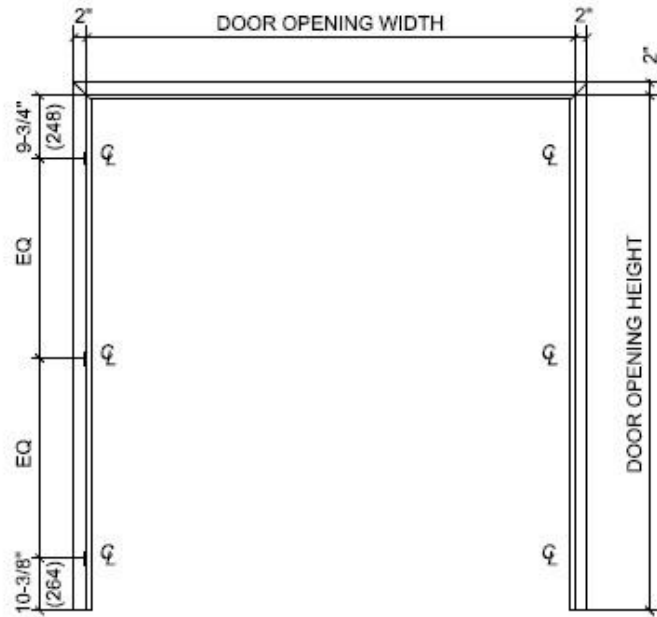
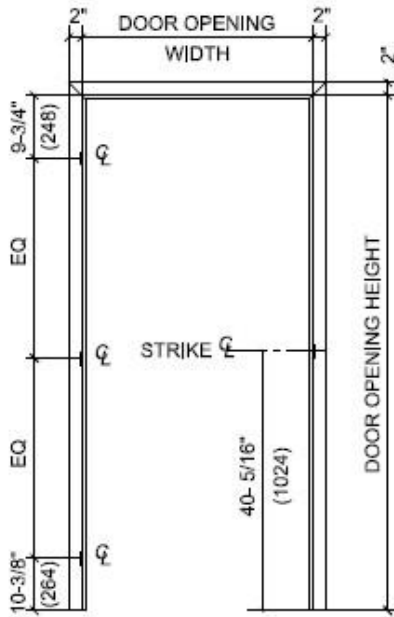
➤ Available on **Single Frames** to 4'0" (1219) wide by 10'0" (3048) high.  
 ➤ Available on **Double Frames** 8'0" (2438) wide by 10'0" (3048) high. 3 Hour, 1-1/2 Hour, 3/4 hour.  
 ➤ **NOTE:** Embossed Combo Frame Labels (3/4 Hour to 1-1/2 Hour) Fire Label on all stock standard frames.



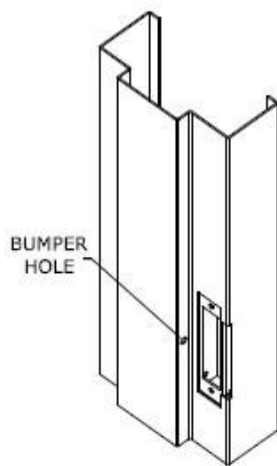
	MODEL	JAMB DEPTH	AS 16	AS 14 (ENG. ONLY)
			THROAT	THROAT
STD.	AS 475	4-3/4" (121)	3-3/4" (95)	3-3/4" (95)
	AS 575	5-3/4" (146)	4-7/8" (124)	4-7/8" (124)
	AS 675	6-3/4" (172)	5-3/4" (146)	5-3/4" (146)
	AS 775	7-3/4" (197)	6-3/4" (171)	6-3/4" (171)
	AS 825	8-1/4" (210)	7-1/4" (184)	7-1/4" (184)
	AS 875	8-3/4" (222)	7-3/4" (197)	7-3/4" (197)
ENG.	MINIMUM	4-1/2" (114)	3-1/2" (89)	3-1/2" (89)
	MAXIMUM	12-1/4" (311)	11-1/4" (286)	11-1/4" (286)

NOTE: AS 5-3/4" Frames have a single 7/16" Return as standard. All other frames have a 1/2" Return as shown above.

**"AS" SERIES FRAMES**

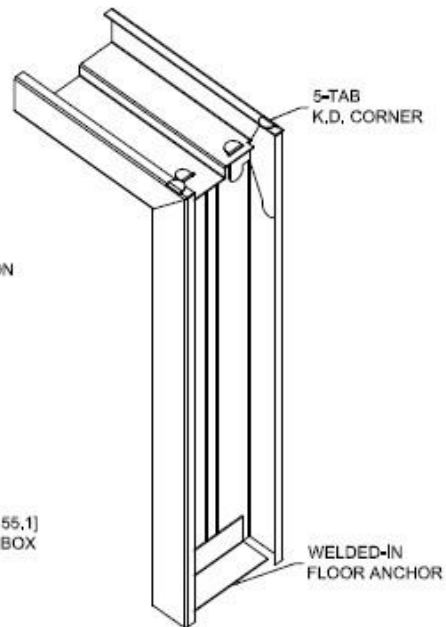


4-1/2" (114) UNIVERSAL HINGE PREPARATION  
7Ga. (4.1) REINFORCEMENT WITH DUST BOX  
FOR STANDARD OR HEAVY WEIGHT HINGES  
D & T FOR #12-24 SCREW



4-7/8" (124) STRIKE PREPARATION [ANSI A155.1]  
14 Ga. (2.0) REINFORCEMENT WITH DUST BOX  
D & T FOR #12-24 SCREW

OPTIONAL  
DEADBOLT  
PREPARATION  
AVAILABLE



WELDED-IN  
FLOOR ANCHOR